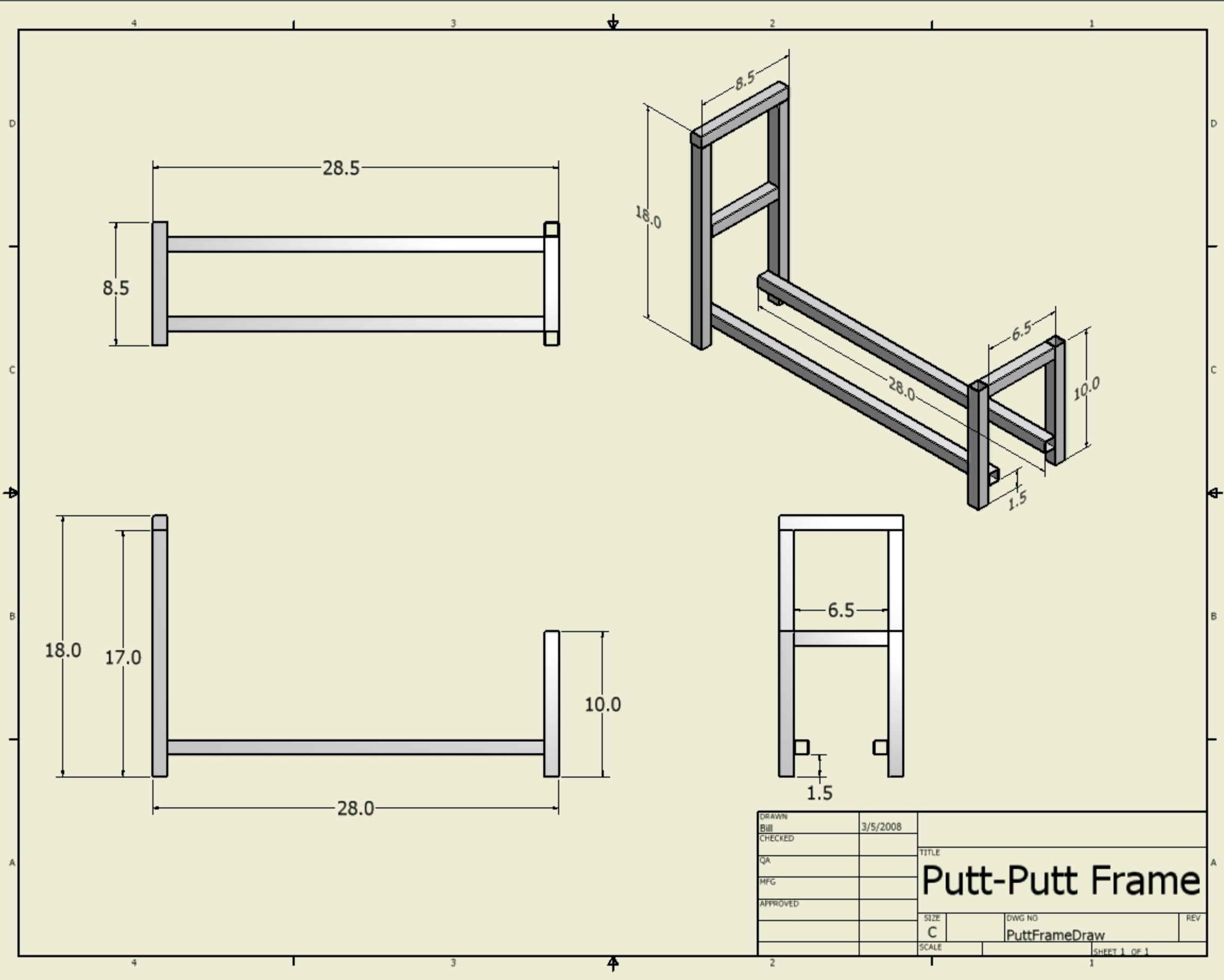
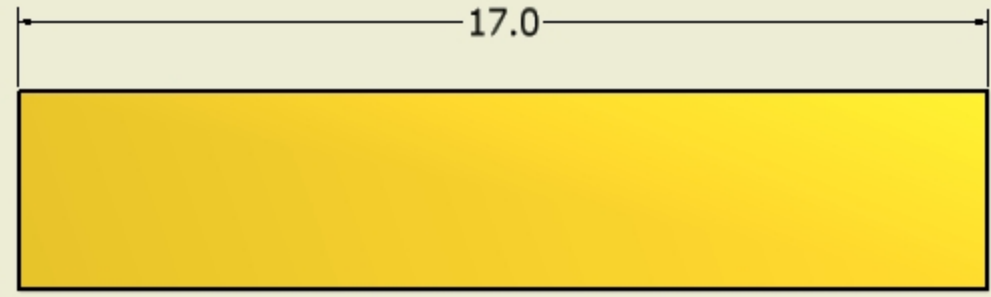
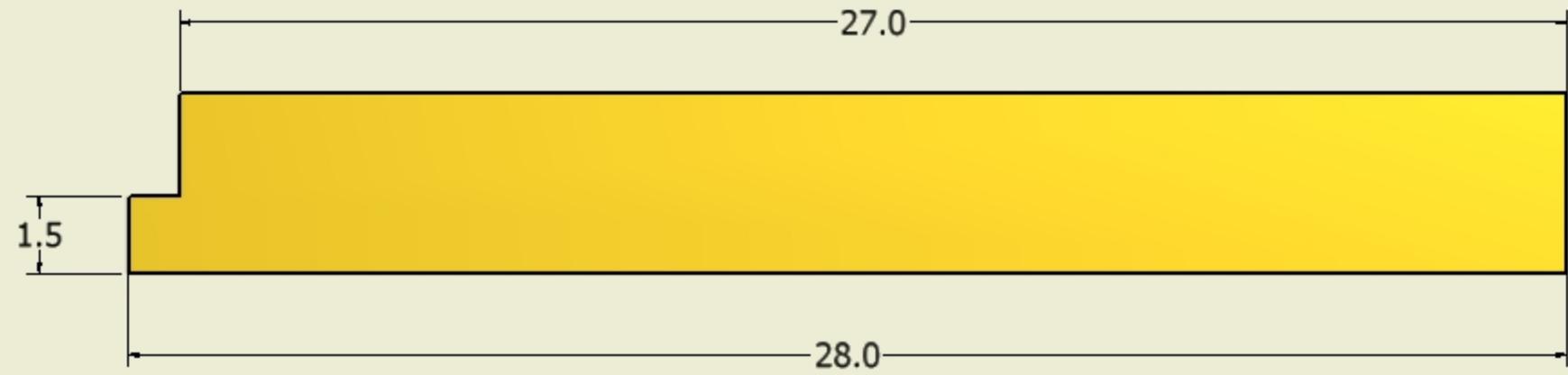
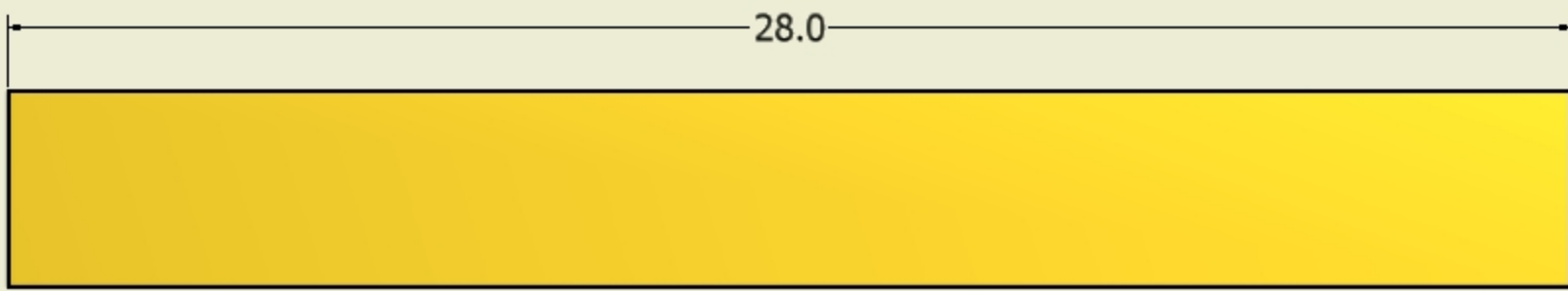
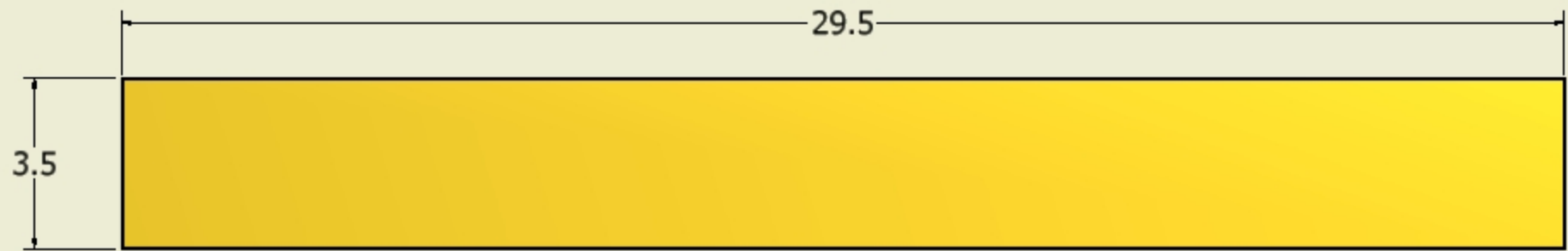


DRAWN	3/6/2008	TITLE Putt-Putt	
BILL			
CHECKED			
QA			
MFG		SIZE	DWG NO
APPROVED		C	Putt3View
		SCALE	REV
			SHEET 1 OF 1



DRAWN	BIII	3/5/2008	TITLE	
CHECKED			Putt-Putt Frame	
QA				
MFG				
APPROVED				
SIZE	C	DWG NO	PuttFrameDraw	REV
SCALE				SHEET 1 OF 1



3/4" X 3.5 Fir was used on the original. Oak would be a better choice.

DRAWN	3/6/2008	TITLE	
BILL		Putt-Putt Wood	
CHECKED			
QA			
MFG			
APPROVED			
		SIZE	DWG NO
		C	PuttWoodDraw
		SCALE	SHEET 1 OF 1